

Item type

Chandelier

Item name

Sublime

Attention!

Turn off the electricity supply at the main circuit panel before installing.
Do not connect the electricity supply until your luminaire is fully assembled and installed.

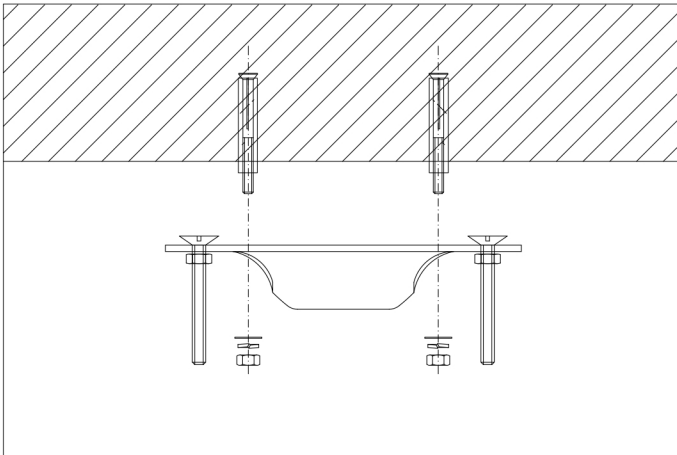
Care instructions:

Wipe with a soft cloth, do not use chemicals or abrasive cleaning materials.

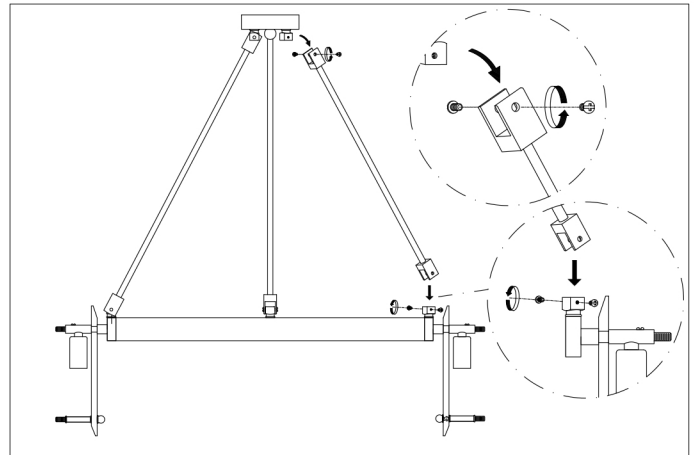
Eichholtz B.V.

Delfweg 52
2211 VN Noordwijkerhout
The Netherlands

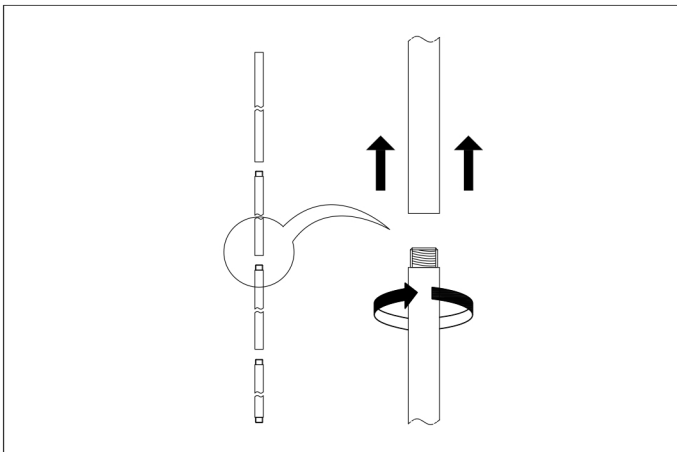
🏠 www.eichholtz.com
✉ service@eichholtz.com
☎ +31 (0)252 515 850



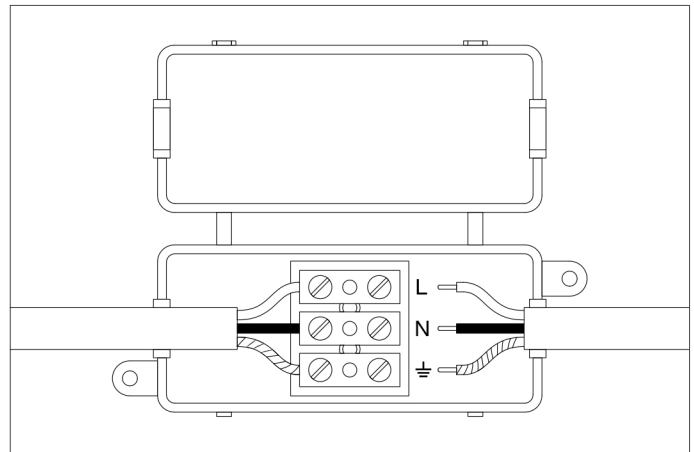
1. Fix the bolts to the ceiling. Then fix the ceiling plate to ceiling with screws.



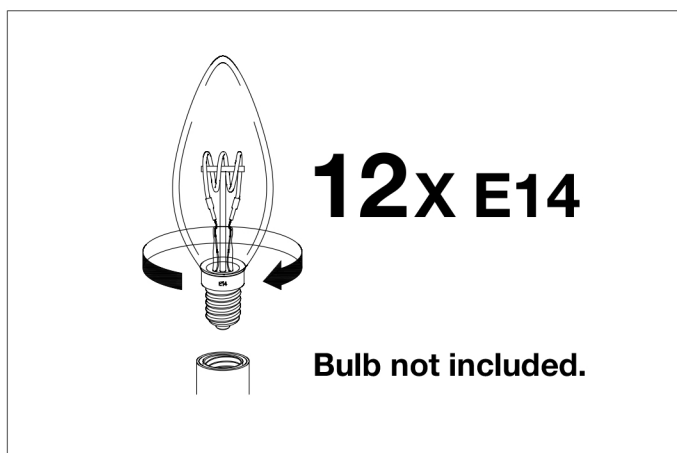
2. Connect the three pipes.



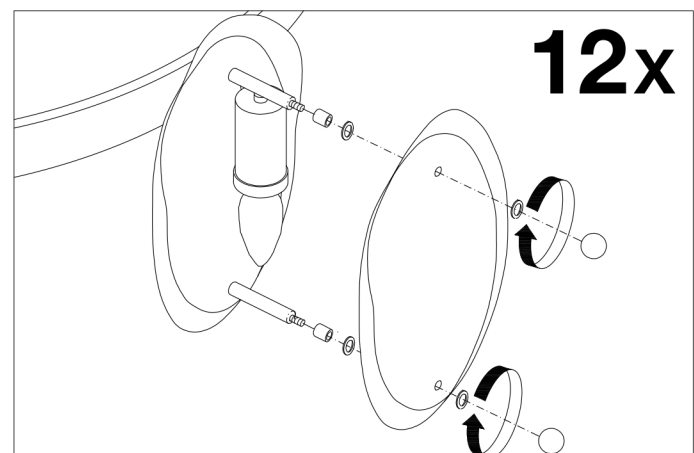
3. Determine the desired height of the lamp and use either one, two or three of the pipes supplied. Thread the wires through the pipe.



4. Connect the 3 wires according to their colours. Brown is the live wire, blue is the neutral wire, green/yellow is the earth wire.



5. Place the bulb.



6. Attach the glass to the lamp with the screws supplied.