

### Item type

Chandelier

### Item name

Chiara

### Attention!

Turn off the electricity supply at the main circuit panel before installing.  
Do not connect the electricity supply until your luminaire is fully assembled and installed.

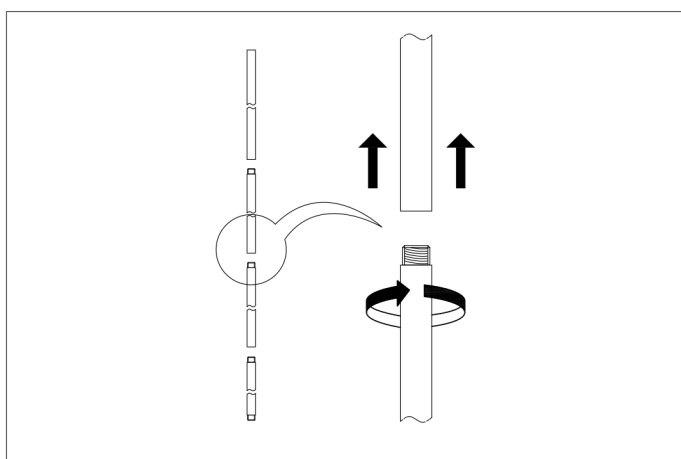
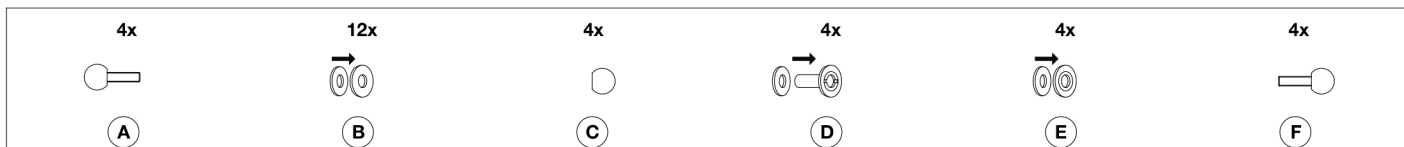
### Care instructions:

Wipe with a soft cloth, do not use chemicals or abrasive cleaning materials.

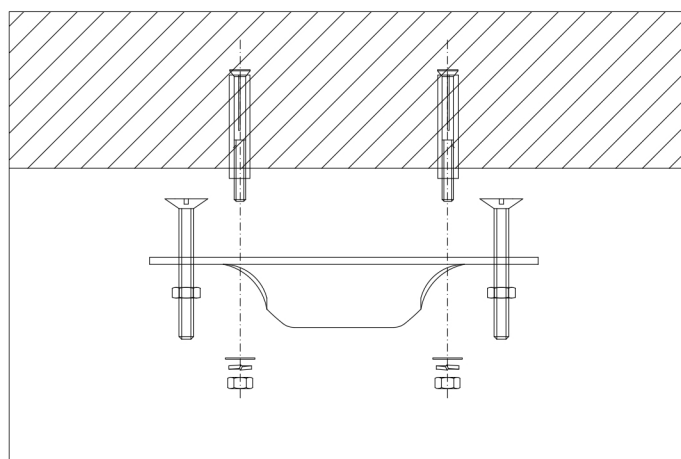
### Eichholtz B.V.

Delfweg 52  
2211 VN Noordwijkerhout  
The Netherlands

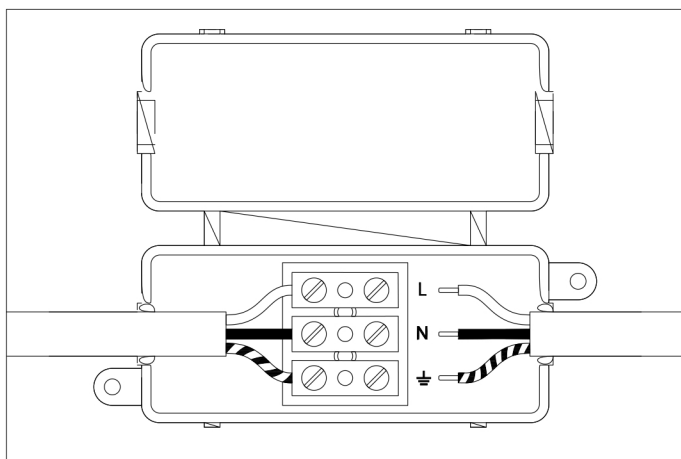
🌐 [www.eichholtz.com](http://www.eichholtz.com)  
✉ [service@eichholtz.com](mailto:service@eichholtz.com)  
☎ +31 (0)252 515 850



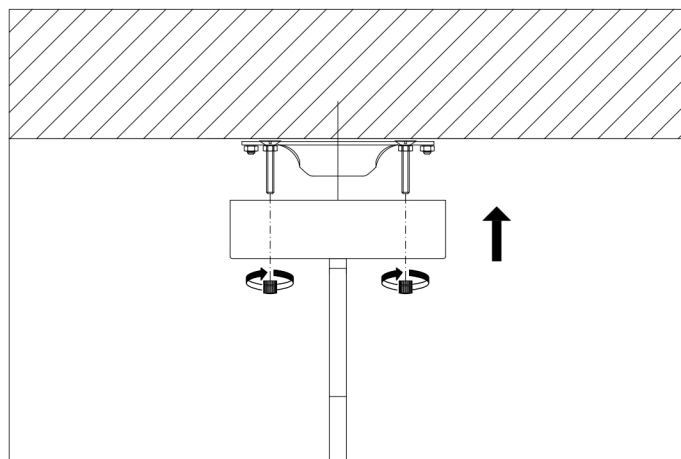
1. Determine the desired height of the lamp and use either one, two or three of the pipes supplied. Thread the wires through the pipe.



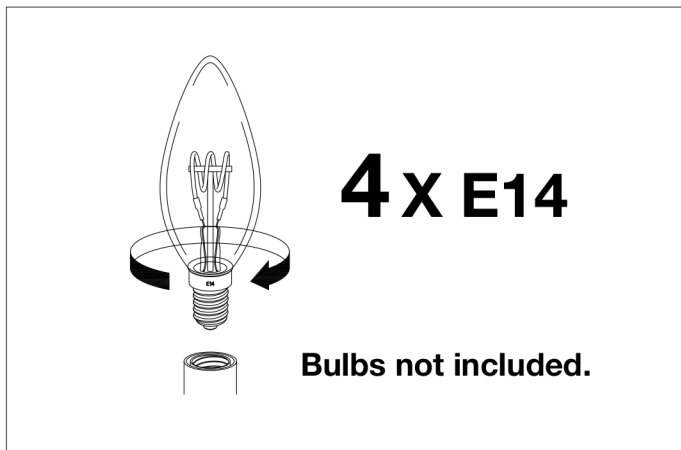
2. Fix the ceiling plate to the ceiling by using mounting plugs and screws suitable to your ceiling type.



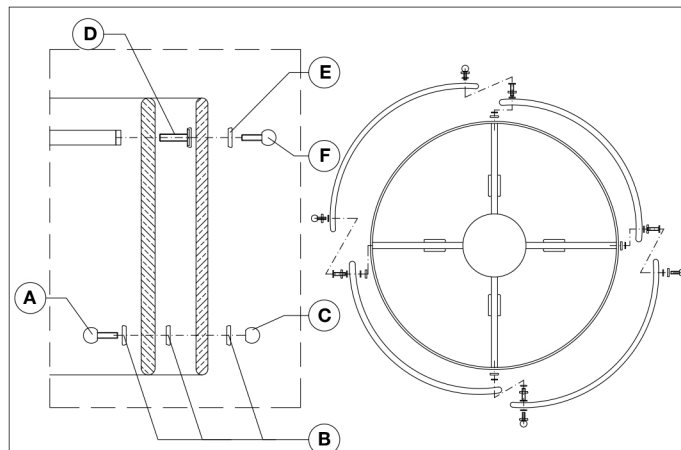
3. Connect the 3 power wires according to their colours. Brown is the live wire, blue is the neutral wire, green/yellow is the earth wire.



4. Place the ceiling canopy over the ceiling plate and fix it securely with the nuts.



5. Place the bulbs.



6. Hold the two inner glass plates in the correct position. Fix them with part D, using a flathead screwdriver. Put part A through the glass plates and slide part B over the threading. Place the two outer glass plates and slide part E over the threading and fix it with part F. At the bottom slide part B over the threading and fix it with the knob.