

**Item type**

Chandelier

**Item name**

Ruby

**Item no**

114386

**Attention!** Turn off the electricity supply at the main circuit panel before installing. Do not connect the electricity supply until your luminaire is fully assembled and installed.

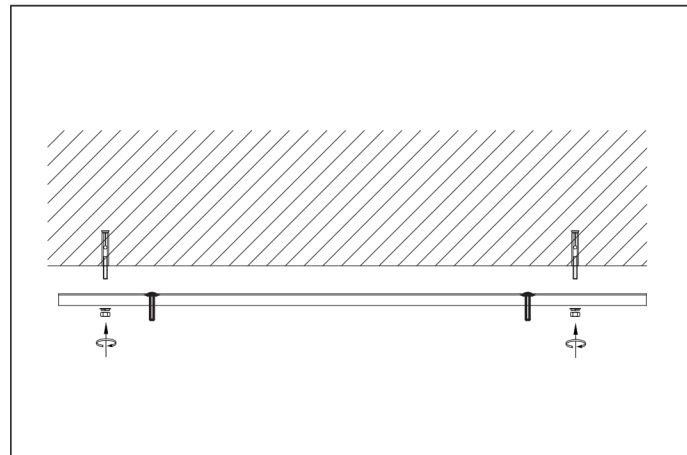
**Care instructions:**

Wipe with a soft dry cloth, do not use chemicals or abrasive cleaning materials.

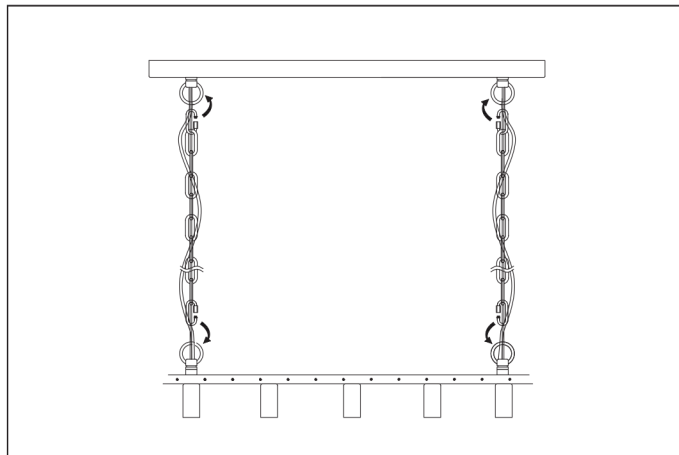
**Eichholtz B.V.**

Delfweg 52  
2211 VN Noordwijkerhout  
The Netherlands

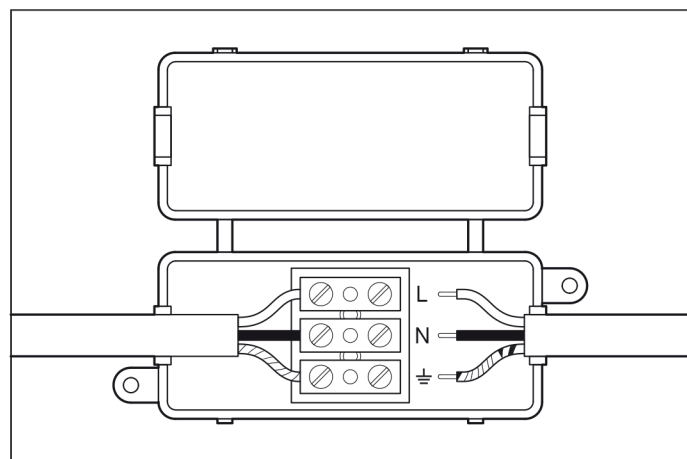
🏠 [www.eichholtz.com](http://www.eichholtz.com)  
✉ [service@eichholtz.com](mailto:service@eichholtz.com)  
☎ +31 (0)252 515 850



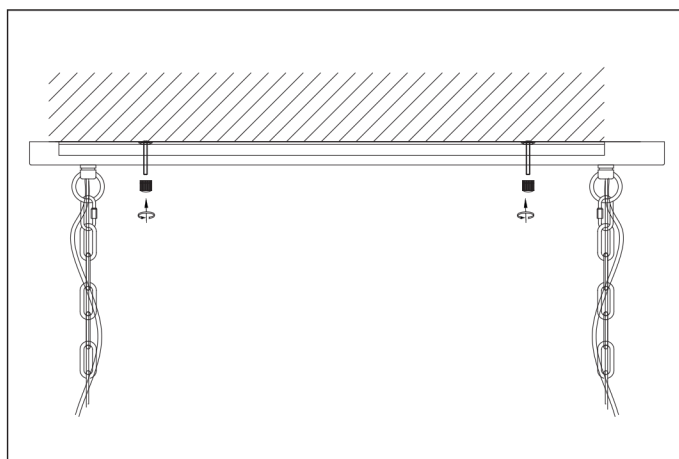
1. Fix the ceiling plate to the ceiling with plugs and screws suitable for your ceiling type



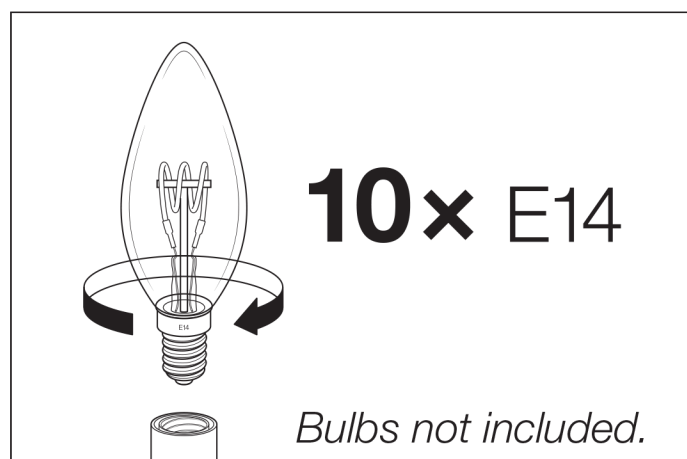
2. Determine the hanging length of the chandelier. Connect the chain according to the height needed. Thread the wires through the chains and ceiling canopy



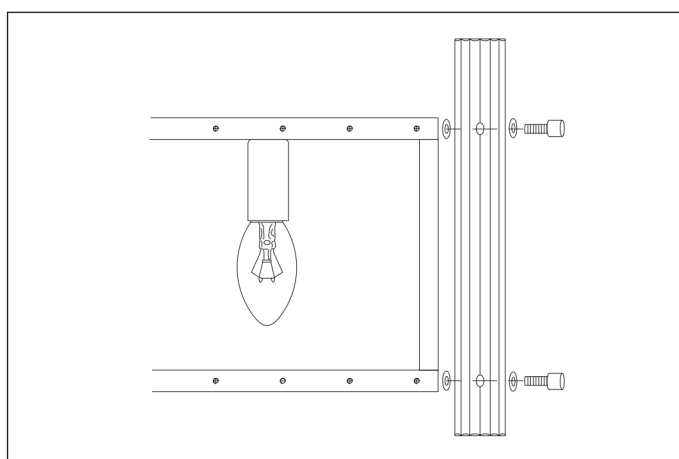
3. Connect the 3 wires according to their colours. Brown is the live wire, blue is the neutral wire, green/yellow is the earth wire.



4. Place the canopy over the ceiling plate and fix it with the nuts.



5. Carefully place the bulbs in the fittings. Do NOT turn the bulbs further than necessary, to prevent damage to the fitting.



6. Place the glass decorations and fix them with the nuts.